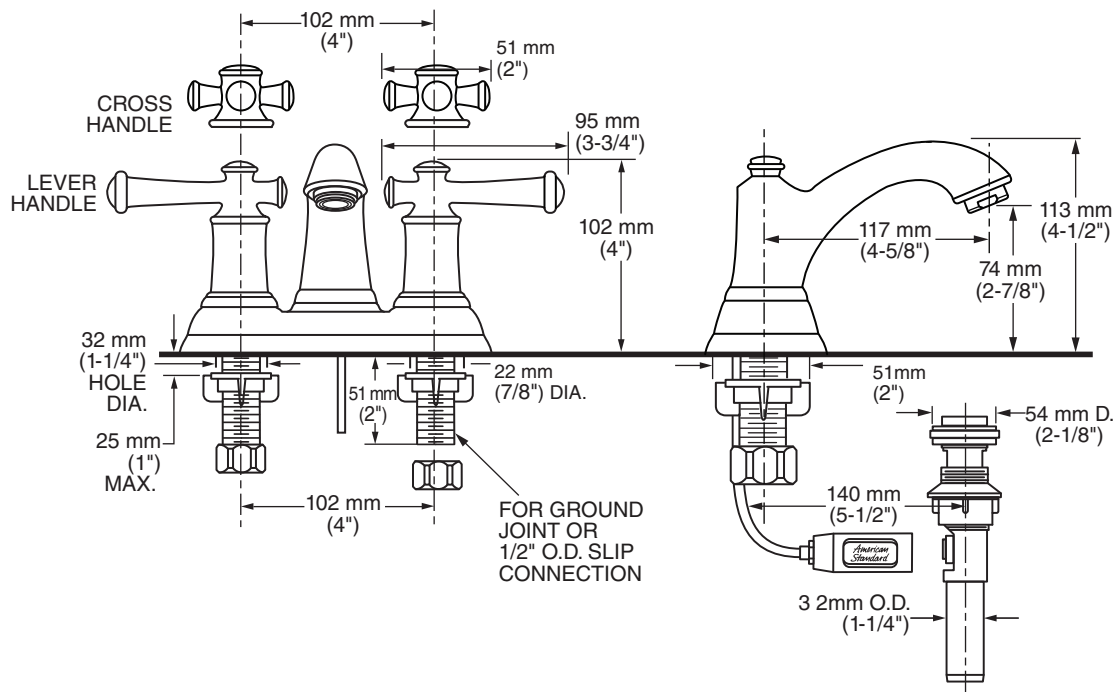


7415.201 Shown

**MODEL NUMBER:**

- 7415.201 Portsmouth Centerset**  
Metal Speed Connect® pop-up drain.  
Metal lever handles.
- 7415.221 Portsmouth Centerset**  
Metal Speed Connect® pop-up drain.  
Metal cross handles.



**GENERAL DESCRIPTION:**

Durable cast brass spout. 1/4 turn washerless ceramic disc valve cartridges. Choice of metal lever or metal cross handles. One-half inch brass male inlet shanks with brass supply nuts. 20 inch (500 mm) long flexible stainless steel drain cable is pre-assembled to faucet body. Metal Speed Connect® drain body with 1-1/4 inch (32 mm) tail piece. 1.2 gpm/4.5 L/min. maximum flow rate.

**PRODUCT FEATURES:**

**Brass Spout & Waterway:** Durable. Easy to clean. Ideal for prolonged contact with water.

**Ceramic Disc Valve Cartridge:** Assures a lifetime of smooth handle operation and drip-free performance.

**Exclusive Speed Connect Metal Drain:**

- Fewer parts. Installs in less time.
- No adjustments required - seals the first time, every time.
- Flexible stainless steel cable - installs effortlessly in tight spaces.

**Lead Free:** Faucet contains ≤ 0.25% total lead content by weighted average.

**SUGGESTED SPECIFICATION**

4" centerpiece lavatory faucet shall feature cast brass spout. Shall also feature 1/4 turn washerless ceramic disc valve cartridges. Shall also feature a metal drain body with stainless steel cable actuation. Fitting shall be American Standard Model # 7415.....

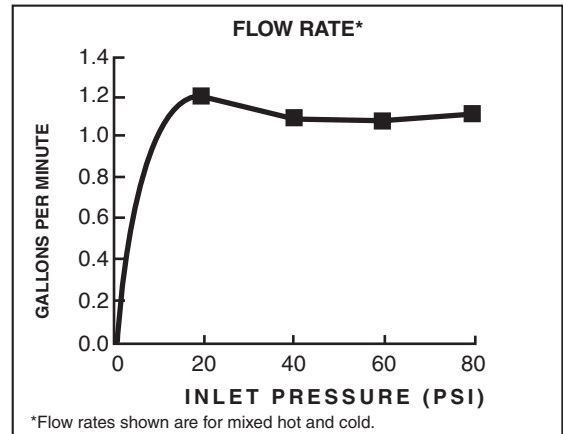


**PORTSMOUTH®**  
**TWO-HANDLE CENTERSET LAVATORY FAUCET**  
**WITH BRASS TRADITIONAL SPOUT**

**CODES AND STANDARDS**

These products meet or exceed the following codes and standards:

- ASME A112.18.1**
- CSA B125.1**
- NSF 61/Section 9 and Annex G**



	Product Number	Description	Finish Options		
			Polished Chrome	Oil Rubbed Bronze	PVD Brushed Nickel
			002	224	295
	7415.201	Portsmouth 2 Handle Centerset with Metal Speed Connect® pop-up drain. Metal lever handles.			
	7415.221	Portsmouth 2 Handle Centerset with Metal Speed Connect pop-up drain. Metal cross handles.			

Meets the American Disabilities Act Guidelines and **ANSI A117.1** Requirements for the physically challenged.

AERATOR MODIFICATIONS***	Parts Suffix**
0.5 gpm (1.9 Lpm) PCA* Spray	___F05
0.5 gpm (1.9 Lpm) Vandal Resistant PCA Spray	___V05
1.0 gpm (3.8 Lpm) PCA Aerator	___F10
1.0 gpm (3.8 Lpm) Vandal Resistant PCA Aerator	___V10
1.2 gpm (4.5 Lpm) Vandal Resistant PCA Aerator	___V12
1.5 gpm (5.7 Lpm) Vandal Resistant PCA Aerator	___V15

\*PCA — Pressure Compenbrushedg  
 \*\*To modify a product, add suffix after the 4th digit (ex. 2064**F05**101.002)  
 \*\*\*Modified product models are **NOT** WaterSense certified.

PART OF **LIXIL**